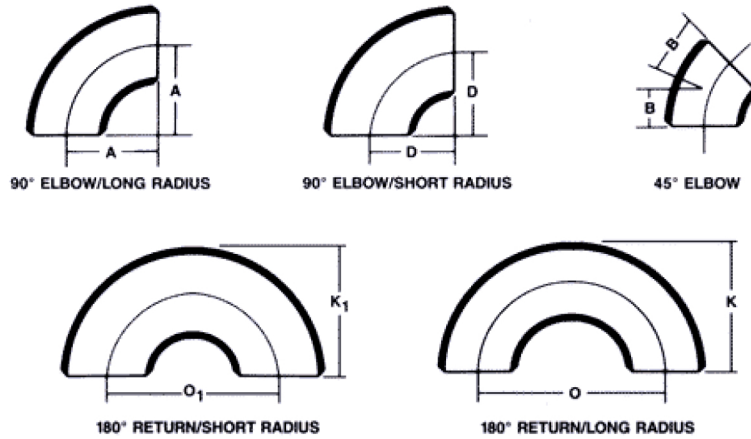


Dunlap Stainless, Inc.

2905 Ramsey Road
Gainesville, GA 30507
(770) 531-1933 (Mon-Fri 8am-5pm)



NOM PIPE SIZE	OUT-SIDE DIAM. O.D.	A	B	D	O	K	O'	K'
1/2	0.84	1.50	0.62	-	3.00	1.88	-	-
3/4	1.05	1.50	0.75	-	3.00	2.00	-	-
1	1.32	1.50	0.88	1.00	3.00	2.19	2.00	1.62
1 1/4	1.66	1.88	1.00	1.25	3.75	2.75	2.50	2.06
1 1/2	1.90	2.25	1.12	1.50	4.50	3.25	3.00	2.44
2	2.38	3.00	1.38	2.00	6.00	4.19	4.00	3.19
2 1/2	2.88	3.75	1.75	2.50	7.50	5.19	5.00	3.94
3	3.50	4.50	2.00	3.00	9.00	6.25	6.00	4.75
3 1/2	4.00	5.25	2.25	3.50	10.50	7.25	7.00	5.50
4	4.50	6.00	2.50	4.00	12.00	8.25	8.00	6.25
5	5.56	7.50	3.12	5.00	15.00	10.31	10.00	7.75
6	6.62	9.00	3.75	6.00	18.00	12.31	12.00	9.31
8	8.62	12.00	5.00	8.00	24.00	16.31	16.00	12.31
10	10.75	15.00	6.25	10.00	30.00	20.38	20.00	15.38
12	12.75	18.00	7.50	12.00	36.00	24.38	24.00	18.38
14	14.00	21.00	8.75	14.00	42.00	28.00	28.00	21.00
16	16.00	24.00	10.00	16.00	48.00	32.00	32.00	24.00
18	18.00	27.00	11.25	18.00	54.00	36.00	36.00	27.00
20	20.00	30.00	12.50	20.00	60.00	40.00	40.00	30.00
22	22.00	33.00	13.50	22.00	66.00	44.00	44.00	33.00
24	24.00	36.00	15.00	24.00	72.00	48.00	48.00	36.00

ALL DIMENSIONS ARE IN INCHES
ALL DIMENSIONS ARE IN ACCORDANCE WITH ASME/ANSI B16.9